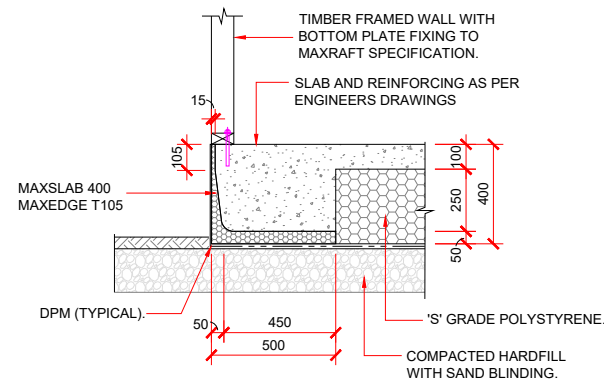
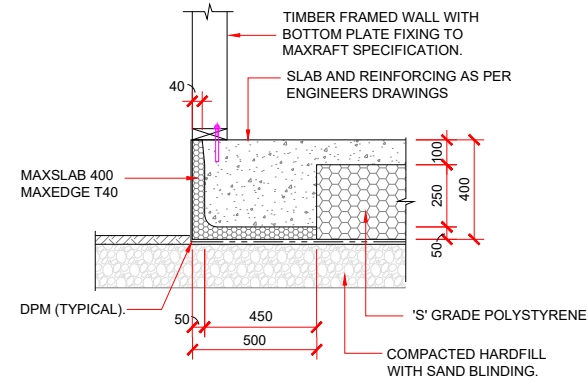


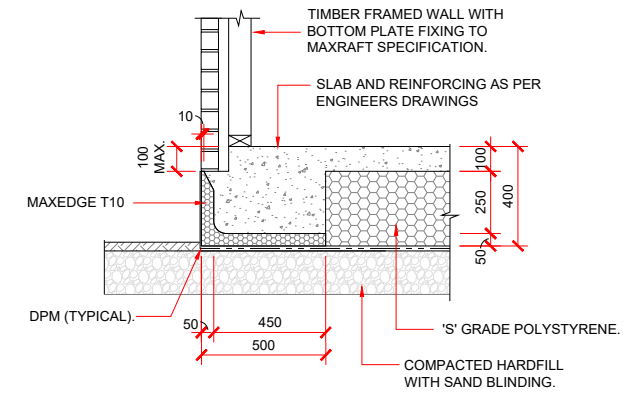
100mm CONCRETE + 300mm POLY



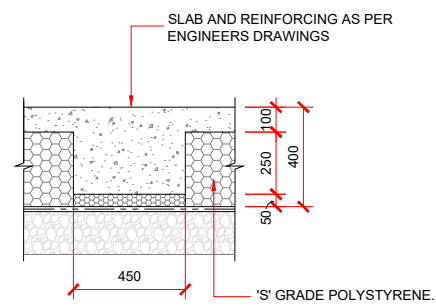
EXTERNAL FOOTING DETAIL
MAXEDGE T105 - 90mm FRAMING



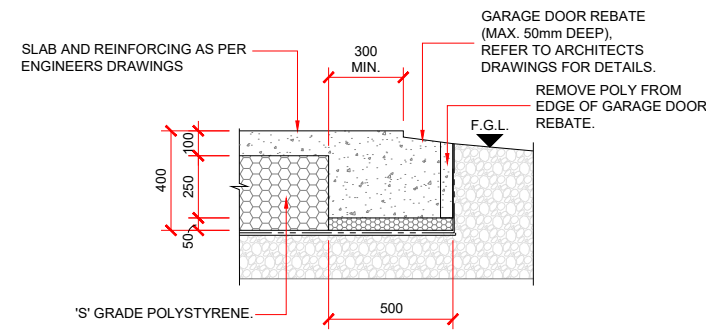
EXTERNAL FOOTING DETAIL
MAXEDGE T40 - 140mm FRAMING



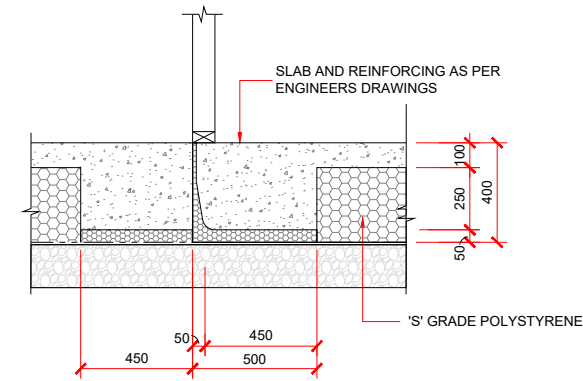
BRICK / STONE VENEER
REBATE DETAIL



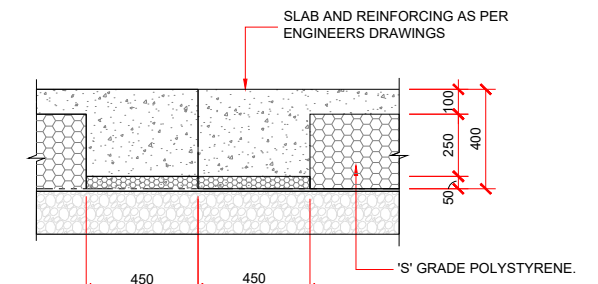
INTERNAL FOOTING DETAIL



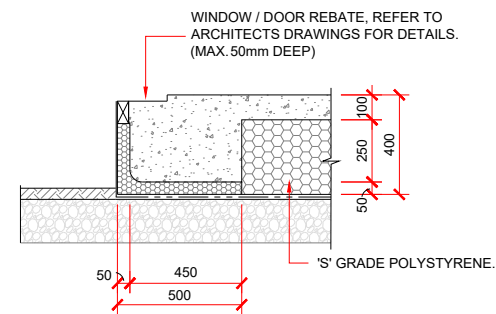
GARAGE DOOR REBATE DETAIL



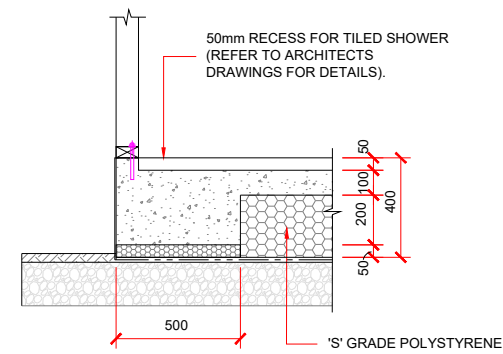
THERMAL BREAK



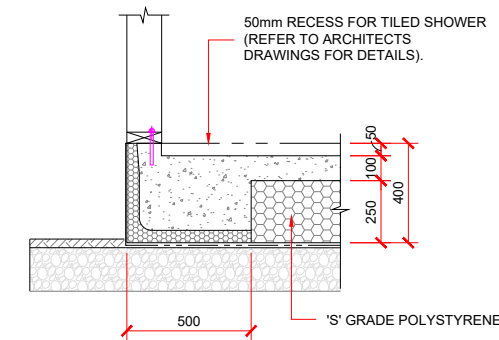
FREE JOINT / CONTROL JOINT DETAIL



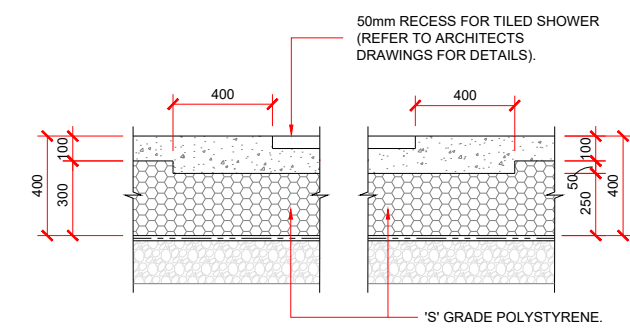
JOINERY REBATE DETAIL



SHOWER RECESS DETAIL - 90mm FRAMING.



SHOWER RECESS DETAIL - 140mm FRAMING.



SHOWER RECESS DETAIL.

MAXSLAB STD 400

DATE : 28/11/2023